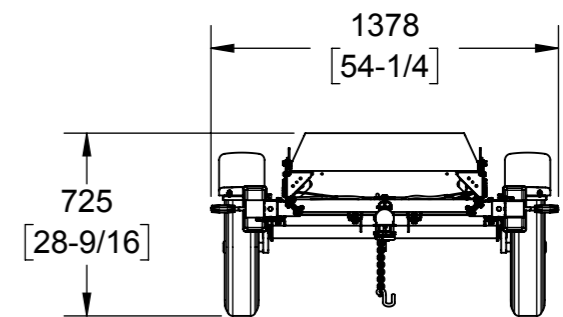
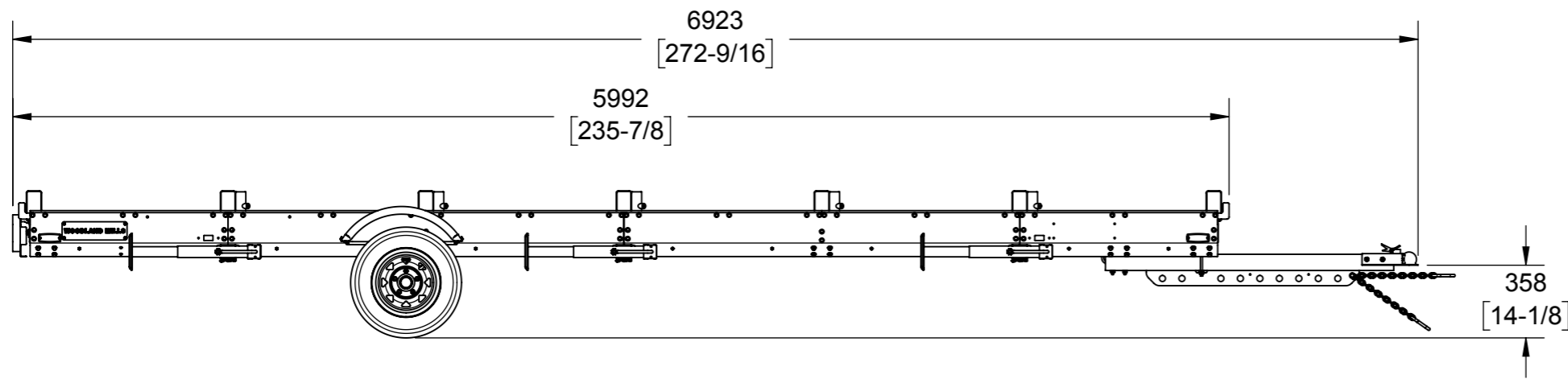
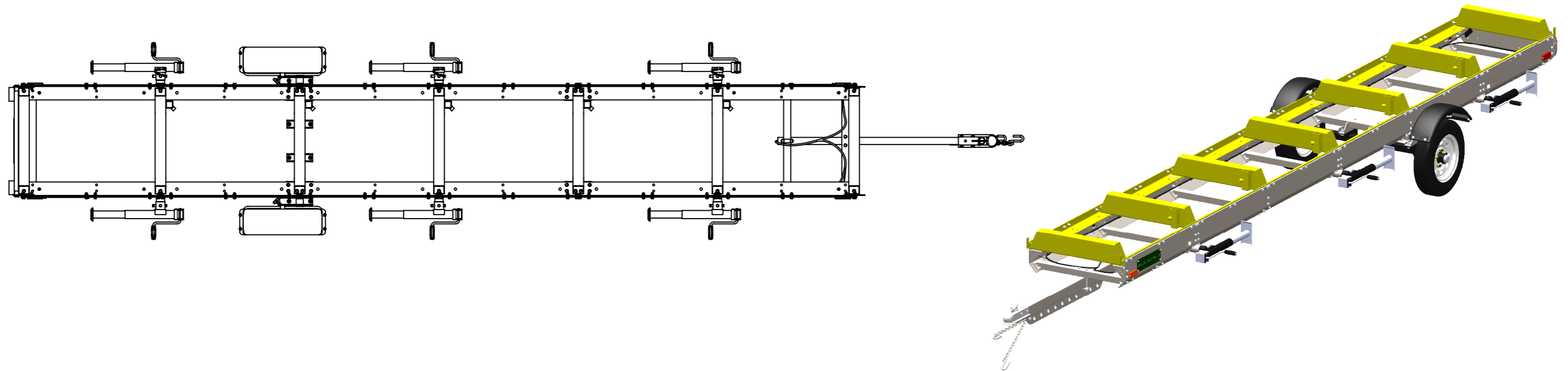


WOODLANDER XL: OVERALL DIMENSIONS



NOTES:

1. DIMENSIONS LOCATED WITHIN SQUARE BRACKETS [] ARE IN INCHES.
2. SAWMILL TRACK (HIGHLIGHTED YELLOW) SHOWN FOR REFERENCE ONLY. NOT INCLUDED WITH TRAILER.



WOODLAND MILLS FORESTRY EQUIPMENT
 171 NORTH PORT RD, UNIT #1
 PORT PERRY, ON L9L 1B2, CANADA
 1 (855) 476-6455

SIZE	DWG NO	REV
A3		
SCALE	DATE	SHEET
1:30	12-11-2018	1 OF 1