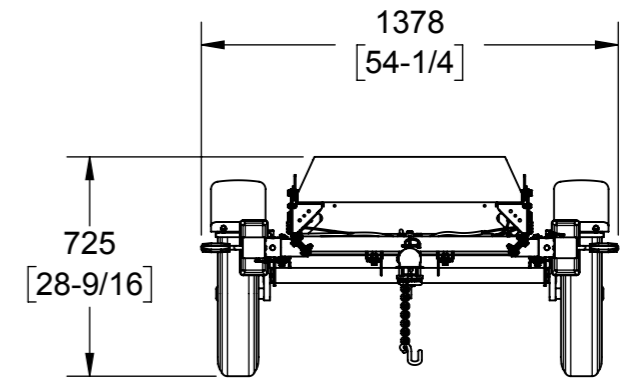
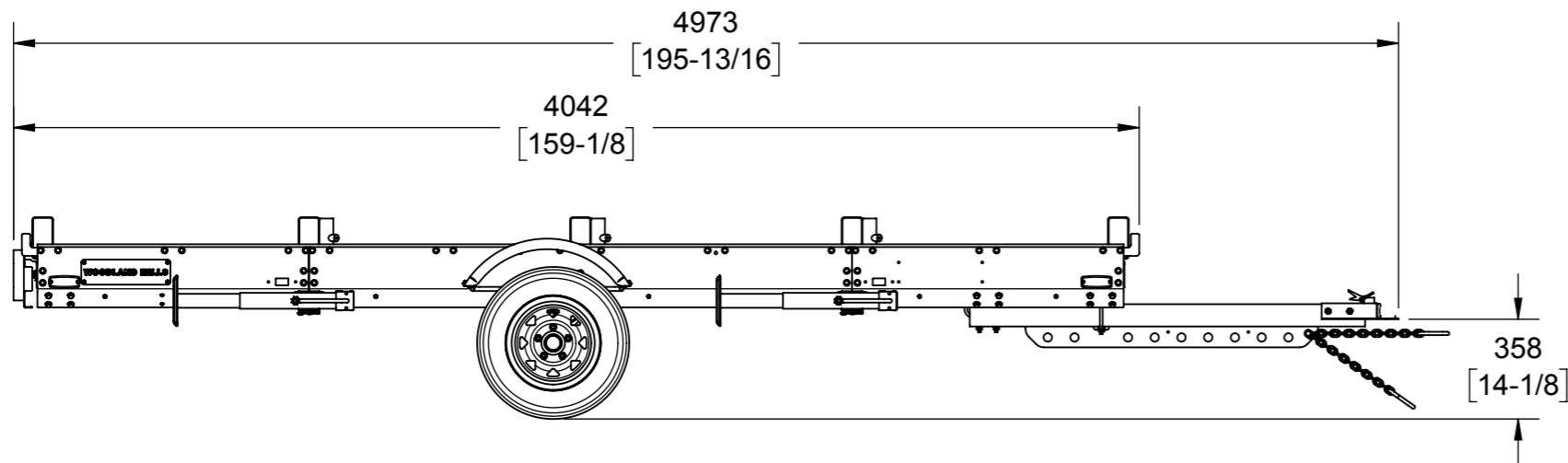
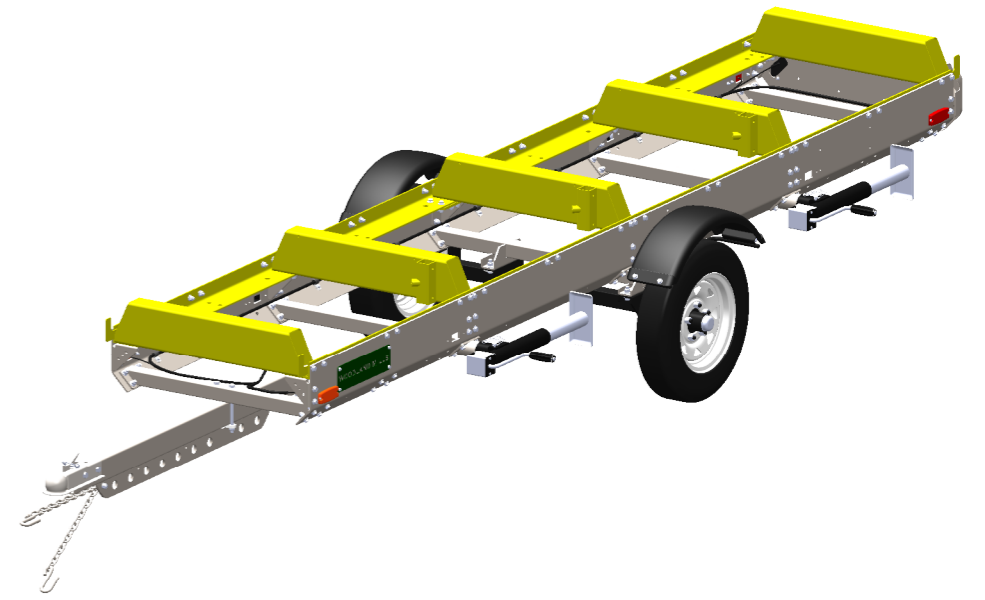
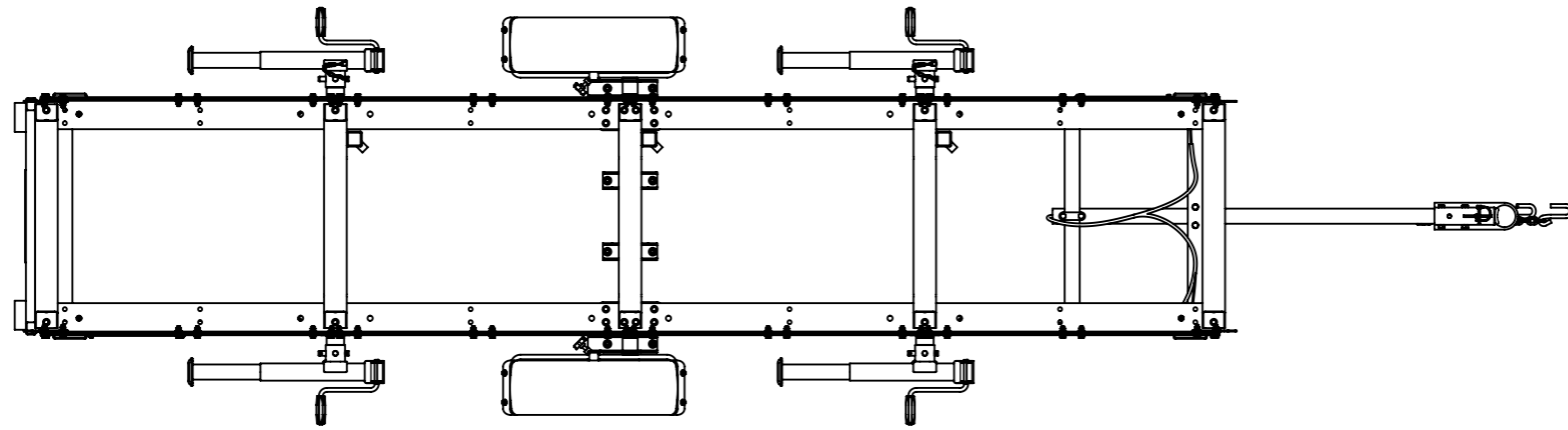


# WOODLANDER: OVERALL DIMENSIONS



**NOTES:**

1. DIMENSIONS LOCATED WITHIN SQUARE BRACKETS [ ] ARE IN INCHES.
2. SAWMILL TRACK (HIGHLIGHTED YELLOW) SHOWN FOR REFERENCE ONLY. NOT INCLUDED WITH TRAILER.



WOODLAND MILLS FORESTRY EQUIPMENT  
 171 NORTH PORT RD, UNIT #1  
 PORT PERRY, ON L9L 1B2, CANADA  
 1 (855) 476-6455

SIZE <b>A3</b>	DWG NO	REV
SCALE 1:25	DATE 12-11-2018	SHEET 1 OF 1